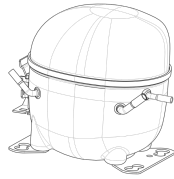


220-240V 50 1~**GENERAL DATA**

Application: MBP
Refrigerant: R290
Evaporating Temperature Range: -20°C to 10°C
Compressor Cooling: Fan
Fan air flow: 520 m³/h
Type: Hermetic reciprocating
Technology Type: On-Off
Expansion Device: Capillary Tube or Expansion Valve
Packing Quantity: Multi - 74 pcs
Displacement: 8.77 cm³
Horse power: 1.3 hp

Approvals:   

MECHANICAL DATA

Bore: 26.5 mm
Stroke: 15.92 mm
Oil Charge: 350ml +/-15ml
Free Internal Volume: 2.1 cm³
Maximum Recommended Refrigerant Charge: 150 g
Oil Type Configuration: Polyolester
Oil Type Viscosity: ISO22
Compressor pressurization: Without dry air charge
Weight: 10.8 kg

ELECTRICAL DATA

Motor Type: CSIR
Starting Torque: HST
Voltage working range at 50 Hz: 198-254 V
Maximum Motor Temperature: 130 °C
Start Winding Resistance: 34.8 Ω (± 10%) at 25°C
Run Winding Resistance: 5.26 Ω (± 10%) at 25°C
Locked Rotor Amperage (LRA): 17 A

MOUNTING ACCESSORIES

	Description	Code
Anchorage:	no	-
Capacitor Bracket:	no	-
Rotolock valve:	no	-
Sleeves:	no	-
Cover:	yes	2075282
Grommets:	yes	2221011
Washer:	yes	2211047
Pin:	yes	2037140
Clip:	yes	2220020
Terminal Board:	yes	1027060
Overload Protector Bracket:	yes	2075299

ELECTRICAL COMPONENTS

	Component type	Description	Code
Start Capacitor:		53-64 MFD 330V	2252346
Starting Device:	Current relay	MTRP-0029-65	2334105
Motor Protection:	External 3/4"	T0964/G6	2319135

EXTERNAL CHARACTERISTICS

Base Plate: European
Tray Holder: No
Height: 200 mm

	Internal Diameter (mm)	Material	Shape
Suction Connector	8.1	Copper	Slanted 42°
Discharge Connector	6.1	Copper	Straight
Process Connector	6.1	Copper	Slanted 42°

RATED POINT DATA

Cooling Capacity (W)	Power Consumption (W)	Current Consumption (A)	Gas Flow Rate (kg/h)	Efficiency (W/W)
±5%	±5%	±5%	±5%	±7%
1 182	453	2.72	13.76	2.61

Test condition: ASHRAE, Fan, Return Gas 35°C, Subcooling 8.3K, Evaporating: 7.2°C, Condensing: 54°C, Ambient: 35°C

PERFORMANCE CURVE DATA

220V 50Hz

Condensing Temperature (°C)	Evaporating Temperature (°C)	Cooling Capacity (W)	Power Consumption (W)	Current Consumption (A)	Gas Flow Rate (kg/h)	Efficiency (W/W)
		±5%	±5%	±5%	±5%	±7%
35°C	10	1 633	345	2.35	16.24	4.73
	5	1 379	340	2.31	13.61	4.06
	0	1 155	331	2.27	11.32	3.49
	-5	959	320	2.23	9.36	3.00
	-10	794	306	2.18	7.70	2.59
	-15	657	290	2.12	6.36	2.27
	-20	550	270	2.06	5.30	2.04

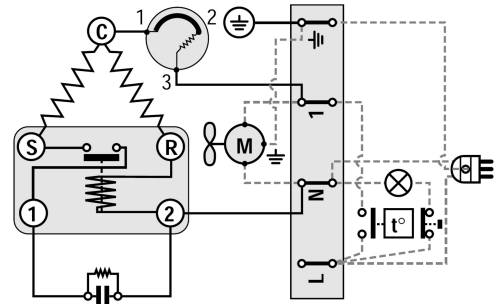
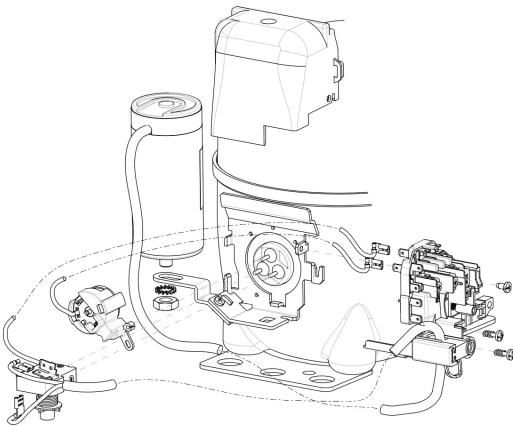
Condensing Temperature (°C)	Evaporating Temperature (°C)	Cooling Capacity (W)	Power Consumption (W)	Current Consumption (A)	Gas Flow Rate (kg/h)	Efficiency (W/W)
		±5%	±5%	±5%	±5%	±7%
45°C	10	1 450	410	2.56	15.63	3.54
	5	1 225	397	2.50	13.10	3.09
	0	1 025	381	2.43	10.88	2.69
	-5	850	362	2.36	8.97	2.35
	-10	699	340	2.28	7.34	2.06
	-15	574	315	2.19	6.00	1.82
	-20	474	287	2.09	4.94	1.65

Condensing Temperature (°C)	Evaporating Temperature (°C)	Cooling Capacity (W)	Power Consumption (W)	Current Consumption (A)	Gas Flow Rate (kg/h)	Efficiency (W/W)
		±5%	±5%	±5%	±5%	±7%
55°C	10	1 281	470	2.79	15.13	2.73
	5	1 083	449	2.70	12.67	2.41
	0	905	425	2.60	10.51	2.13
	-5	748	398	2.49	8.62	1.88
	-10	611	367	2.38	7.01	1.66

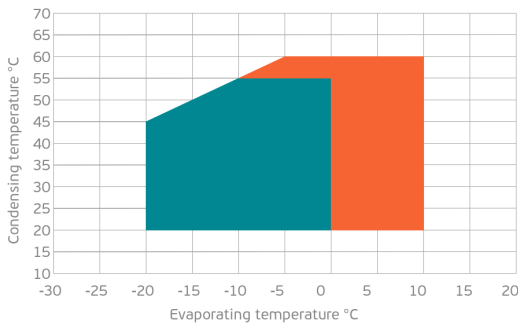
Test condition: ASHRAE, Fan, Return Gas 35°C, Subcooling 8.3K, Ambient: 35°C

ASSEMBLY INSTRUCTION

WIRING DIAGRAM

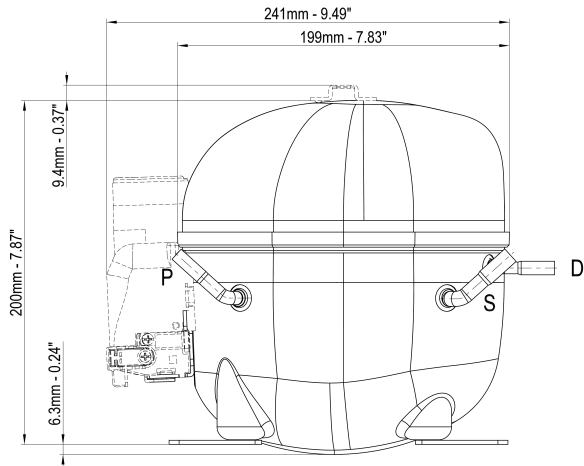


OPERATING ENVELOPE



- Operating Condition
- Transient Condition
- Superheating

NOTE: usage of compressors outside of intended working range cannot make use of the warranty, or should be consulted with Technical support.



	∅ mm	∅ in	Material
S - Suction	8.10 - 8.20	0.32	Cu
P - Process	6.10 - 6.20	0.24	Cu
D - Discharge	6.10 - 6.20	0.24	Cu

