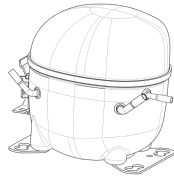


**220-240V 50 1~****GENERAL DATA**

**Application:** MBP  
**Refrigerant:** R290  
**Evaporating Temperature Range:** -20°C to 10°C  
**Compressor Cooling:** Fan  
**Fan air flow:** 520 m<sup>3</sup>/h  
**Type:** Hermetic reciprocating  
**Technology Type:** On-Off  
**Expansion Device:** Capillary Tube or Expansion Valve  
**Packing Quantity:** Single - 1 pc  
**Displacement:** 14.28 cm<sup>3</sup>  
**Horse power:** 3/4 hp

Approvals:   

**MECHANICAL DATA**

**Bore:** 30.16 mm  
**Stroke:** 20 mm  
**Oil Charge:** 350ml +/-15ml  
**Free Internal Volume:** 2.1 cm<sup>3</sup>  
**Maximum Recommended Refrigerant Charge:** 150 g  
**Oil Type Configuration:** Polyolester  
**Oil Type Viscosity:** ISO22  
**Compressor pressurization:** Without dry air charge  
**Weight:** 11.8 kg

**ELECTRICAL DATA**

**Motor Type:** CSIR  
**Starting Torque:** HST  
**Voltage working range at 50 Hz:** 198-254 V  
**Maximum Motor Temperature:** 130 °C  
**Start Winding Resistance:** 13.9 Ω (± 10%) at 25°C  
**Run Winding Resistance:** 3.3 Ω (± 10%) at 25°C

**MOUNTING ACCESSORIES**

|                                    | Description | Code    |
|------------------------------------|-------------|---------|
| <b>Anchorage:</b>                  | no          | -       |
| <b>Capacitor Bracket:</b>          | no          | -       |
| <b>Washer:</b>                     | no          | -       |
| <b>Pin:</b>                        | no          | -       |
| <b>Clip:</b>                       | no          | -       |
| <b>Rotolock valve:</b>             | no          | -       |
| <b>Cover:</b>                      | yes         | 2075282 |
| <b>Grommets:</b>                   | yes         | 2221011 |
| <b>Sleeves:</b>                    | yes         | 2222018 |
| <b>Terminal Board:</b>             | yes         | 1027060 |
| <b>Overload Protector Bracket:</b> | yes         | 2075299 |

**ELECTRICAL COMPONENTS**

|                          | Component type | Description              | Code    |
|--------------------------|----------------|--------------------------|---------|
| <b>Start Capacitor:</b>  |                | 53-64 MFD 330V           | 2252346 |
| <b>Starting Device:</b>  | Current relay  | MTRPH-0050-65            | 2334140 |
| <b>Motor Protection:</b> | External 3/4"  | T0485/G6   MST16APN-3259 | 2319136 |

**EXTERNAL CHARACTERISTICS**

**Base Plate:** European  
**Tray Holder:** No  
**Height:** 206 mm

|                            | Internal Diameter (mm) | Material | Shape       |
|----------------------------|------------------------|----------|-------------|
| <b>Suction Connector</b>   | 8.1                    | Copper   | Slanted 42° |
| <b>Discharge Connector</b> | 6.1                    | Copper   | Straight    |
| <b>Process Connector</b>   | 6.1                    | Copper   | Slanted 42° |

**RATED POINT DATA**

| Cooling Capacity (W) | Power Consumption (W) | Current Consumption (A) | Gas Flow Rate (kg/h) | Efficiency (W/W) |
|----------------------|-----------------------|-------------------------|----------------------|------------------|
| ±5%                  | ±5%                   | ±5%                     | ±5%                  | ±7%              |
| 1 838                | 815                   | 4.88                    | 21.38                | 2.25             |

Test condition: ASHRAE, Fan, Return Gas 35°C, Subcooling 8.3K, Evaporating: 7.2°C, Condensing: 54°C, Ambient: 35°C

**PERFORMANCE CURVE DATA****220V 50Hz**

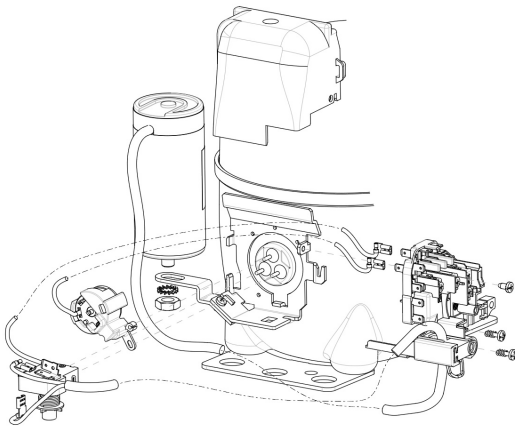
| Condensing Temperature (°C) | Evaporating Temperature (°C) | Cooling Capacity (W) | Power Consumption (W) | Current Consumption (A) | Gas Flow Rate (kg/h) | Efficiency (W/W) |
|-----------------------------|------------------------------|----------------------|-----------------------|-------------------------|----------------------|------------------|
|                             |                              | ±5%                  | ±5%                   | ±5%                     | ±5%                  | ±7%              |
| <b>35°C</b>                 | 10                           | 2 558                | 649                   | 4.29                    | 25.44                | 3.94             |
|                             | 5                            | 2 178                | 625                   | 4.19                    | 21.50                | 3.48             |
|                             | 0                            | 1 837                | 598                   | 4.09                    | 18.02                | 3.07             |
|                             | -5                           | 1 536                | 569                   | 3.98                    | 14.98                | 2.70             |
|                             | -10                          | 1 274                | 536                   | 3.87                    | 12.37                | 2.38             |
|                             | -15                          | 1 052                | 501                   | 3.75                    | 10.17                | 2.10             |
|                             | -20                          | 869                  | 463                   | 3.63                    | 8.37                 | 1.88             |

| Condensing Temperature (°C) | Evaporating Temperature (°C) | Cooling Capacity (W) | Power Consumption (W) | Current Consumption (A) | Gas Flow Rate (kg/h) | Efficiency (W/W) |
|-----------------------------|------------------------------|----------------------|-----------------------|-------------------------|----------------------|------------------|
|                             |                              | ±5%                  | ±5%                   | ±5%                     | ±5%                  | ±7%              |
| <b>45°C</b>                 | 10                           | 2 269                | 745                   | 4.63                    | 24.45                | 3.05             |
|                             | 5                            | 1 928                | 710                   | 4.48                    | 20.61                | 2.71             |
|                             | 0                            | 1 621                | 673                   | 4.34                    | 17.21                | 2.41             |
|                             | -5                           | 1 350                | 633                   | 4.19                    | 14.24                | 2.13             |
|                             | -10                          | 1 113                | 590                   | 4.04                    | 11.68                | 1.89             |
|                             | -15                          | 910                  | 545                   | 3.88                    | 9.52                 | 1.67             |
|                             | -20                          | 743                  | 497                   | 3.73                    | 7.73                 | 1.49             |

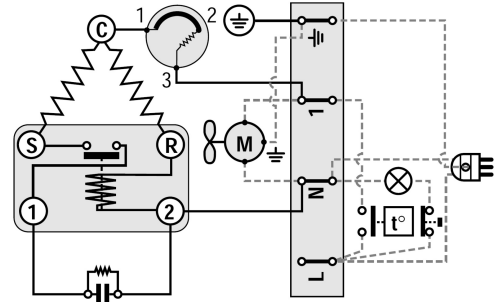
| Condensing Temperature (°C) | Evaporating Temperature (°C) | Cooling Capacity (W) | Power Consumption (W) | Current Consumption (A) | Gas Flow Rate (kg/h) | Efficiency (W/W) |
|-----------------------------|------------------------------|----------------------|-----------------------|-------------------------|----------------------|------------------|
|                             |                              | ±5%                  | ±5%                   | ±5%                     | ±5%                  | ±7%              |
| <b>55°C</b>                 | 10                           | 1 982                | 852                   | 5.04                    | 23.40                | 2.32             |
|                             | 5                            | 1 685                | 804                   | 4.83                    | 19.72                | 2.10             |
|                             | 0                            | 1 418                | 753                   | 4.63                    | 16.47                | 1.88             |
|                             | -5                           | 1 181                | 700                   | 4.42                    | 13.62                | 1.69             |
|                             | -10                          | 974                  | 645                   | 4.22                    | 11.17                | 1.51             |

Test condition: ASHRAE, Fan, Return Gas 35°C, Subcooling 8.3K, Ambient: 35°C

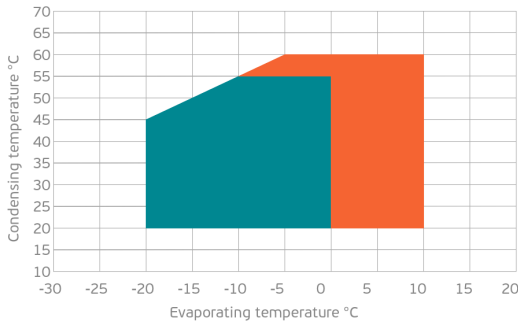
**ASSEMBLY INSTRUCTION**



**WIRING DIAGRAM**

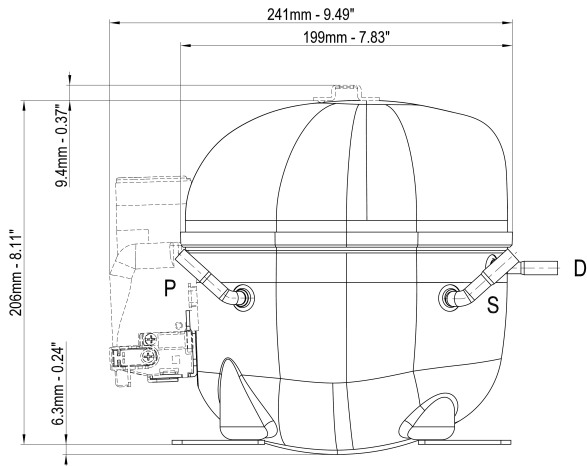


**OPERATING ENVELOPE**



- Operating Condition
- Transient Condition
- Superheating

**NOTE:** usage of compressors outside of intended working range cannot make use of the warranty, or should be consulted with Technical support.



|                      | ∅ mm        | ∅ in | Material |
|----------------------|-------------|------|----------|
| <b>S - Suction</b>   | 8.10 - 8.20 | 0.32 | Cu       |
| <b>P - Process</b>   | 6.10 - 6.20 | 0.24 | Cu       |
| <b>D - Discharge</b> | 6.10 - 6.20 | 0.24 | Cu       |

