

R.E.S.L

Richmonds Earl Shilton Limited

Specialist Distributors of Compressors and Refrigeration Spares

Model: NTZ096

Technical data

Cylinder count:	2
Displacement [m ³ /h]:	16,7
Cylinder capacity [cm ³]:	96
RPM [min ⁻¹]:	2900
Weight [kg]:	35
Oil charge [dm ³]:	1,8
Oil type:	160Z
Crankcase heater type:	PTC35W
Maximum system test pressure low side / high side:	25 / 30
Maximum number of starts without softstart [1/h]:	12
Refrigerant charge limit [dm ³]:	5
Refrigerant:	R404A
Sound power [dB]:	84
Sound power with acoustic hood [dB]:	78
IP rating:	IP 55

Connections

	inches
Suction Rotolock valve connection:	1 3/4"
Discharge Rotolock valve connection:	1 1/4"
Suction connection with supplied sleeve:	7/8"
Discharge connection with supplied sleeve:	3/4"

Approvals

CCC	+
CE	+
UL	+
Gost	+

Richmond's (Earl Shilton) Ltd, 9-11 High Street, Earl Shilton, Leicestershire, LE9 7DH



R.E.S.L

Richmonds Earl Shilton Limited

Specialist Distributors of Compressors and Refrigeration Spares

Model: NTZ096

R404A/R507

Capacity

Cooling capacity [W]

t _c \ t _e	-45	-40	-35	-30	-25	-20	-15	-10
30	1 279	1 852	2 597	3 540	4 706	6 123	7 814	9 806
35	1 075	1 611	2 308	3 192	4 287	5 620	7 216	9 101
40	865	1 359	2 002	2 819	3 837	5 080	6 574	8 346
45	658	1 104	1 686	2 431	3 364	4 512	5 899	7 551
50	-	853	1 369	2 035	2 878	3 923	5 196	6 723
55	-	-	1 058	1 640	2 387	3 323	4 476	5 871
60	-	-	763	1 254	1 898	2 720	3 746	5 002

Power input [W]

t _c \ t _e	-45	-40	-35	-30	-25	-20	-15	-10
30	1 165	1 478	1 789	2 092	2 384	2 660	2 916	3 146
35	1 099	1 431	1 773	2 120	2 469	2 815	3 152	3 477
40	1 023	1 367	1 734	2 119	2 517	2 925	3 337	3 750
45	940	1 289	1 673	2 089	2 531	2 994	3 475	3 968
50	-	1 198	1 594	2 033	2 511	3 024	3 566	4 133
55	-	-	1 498	1 954	2 462	3 016	3 613	4 248
60	-	-	1 387	1 854	2 384	2 974	3 619	4 314

Current [A]

t _c \ t _e	-45	-40	-35	-30	-25	-20	-15	-10
30	2.67	2.96	3.33	3.75	4.20	4.66	5.10	5.48
35	2.66	2.94	3.32	3.78	4.28	4.81	5.33	5.82
40	2.62	2.90	3.29	3.78	4.33	4.93	5.53	6.13
45	2.56	2.83	3.24	3.76	4.36	5.01	5.70	6.40
50	-	2.74	3.16	3.70	4.35	5.07	5.84	6.64
55	-	-	3.05	3.62	4.31	5.09	5.94	6.84
60	-	-	2.91	3.51	4.24	5.08	6.01	7.00

Richmond's (Earl Shilton) Ltd, 9-11 High Street, Earl Shilton, Leicestershire, LE9 7DH



R.E.S.L

Richmonds Earl Shilton Limited

Specialist Distributors of Compressors and Refrigeration Spares

Model: NTZ096

Capacity

Mass flow [kg/s]

$t_c \setminus t_e$	-45	-40	-35	-30	-25	-20	-15	-10
30	30.52	44.79	62.85	85.66	114.20	149.45	192.38	243.97
35	27.04	41.06	58.92	81.61	110.09	145.35	188.35	240.08
40	23.14	36.69	54.16	76.51	104.73	139.79	182.66	234.33
45	18.91	31.79	48.65	70.47	98.22	132.87	175.41	226.81
50	-	26.44	42.49	63.56	90.64	124.68	166.68	217.60
55	-	-	35.76	55.88	82.07	115.31	156.56	206.80
60	-	-	28.54	47.51	72.61	104.83	145.12	194.48

C.O.P. [W/W]

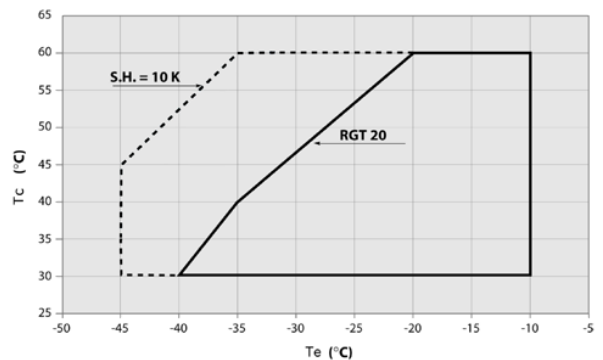
$t_c \setminus t_e$	-45	-40	-35	-30	-25	-20	-15	-10
30	1.10	1.25	1.45	1.69	1.97	2.30	2.68	3.12
35	0.98	1.13	1.30	1.51	1.74	2.00	2.29	2.62
40	0.85	0.99	1.15	1.33	1.52	1.74	1.97	2.23
45	0.70	0.86	1.01	1.16	1.33	1.51	1.70	1.90
50	-	0.71	0.86	1.00	1.15	1.30	1.46	1.63
55	-	-	0.71	0.84	0.97	1.10	1.24	1.38
60	-	-	0.55	0.68	0.80	0.91	1.04	1.16

Operating conditions: suction gas return temperature: 20°C, subcooling: 0 K

t_c - Condensing temperature [°C]

t_e - Evaporating temperature [°C]

Application range



Richmond's (Earl Shilton) Ltd, 9-11 High Street, Earl Shilton, Leicestershire, LE9 7DH

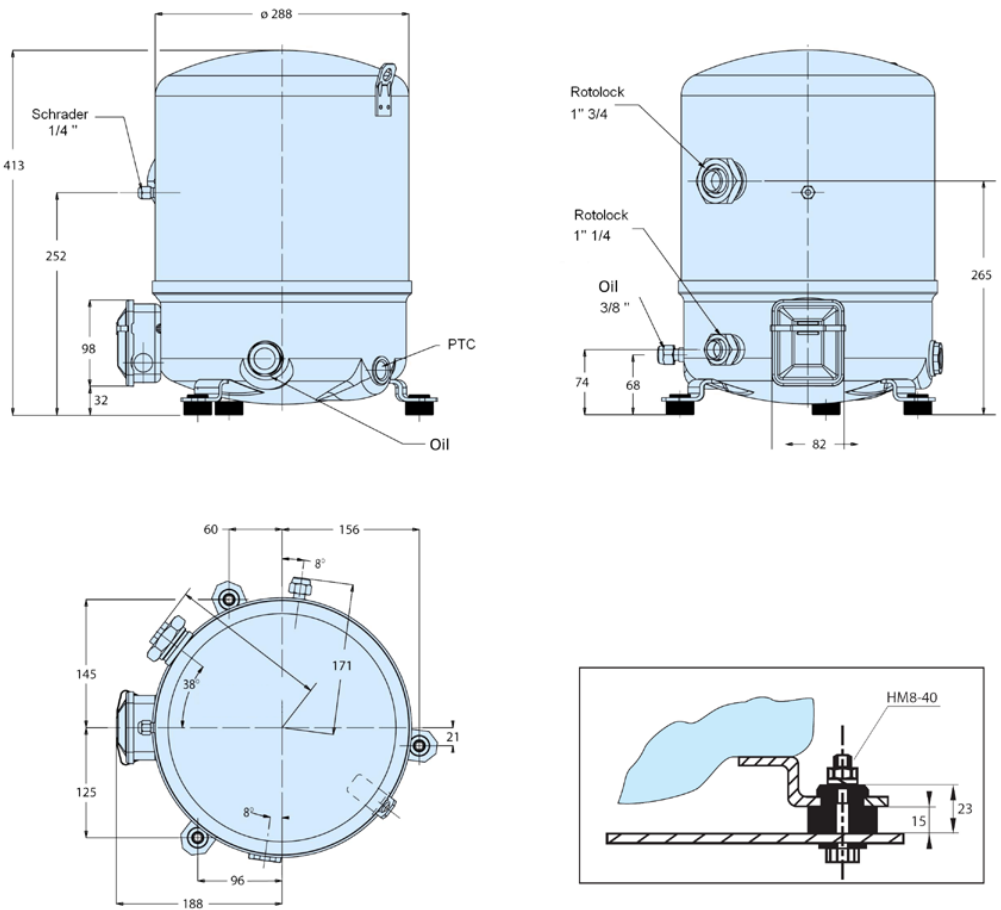


R.E.S.L

Richmonds Earl Shilton Limited

Specialist Distributors of Compressors and Refrigeration Spares

Dimensions



Richmond's (Earl Shilton) Ltd, 9-11 High Street, Earl Shilton, Leicestershire, LE9 7DH



R.E.S.L

Richmonds Earl Shilton Limited

Specialist Distributors of Compressors and Refrigeration Spares

Model: NTZ096

Image



Richmond's (Earl Shilton) Ltd, 9-11 High Street, Earl Shilton, Leicestershire, LE9 7DH



R.E.S.L

Richmonds Earl Shilton Limited

Specialist Distributors of Compressors and Refrigeration Spares

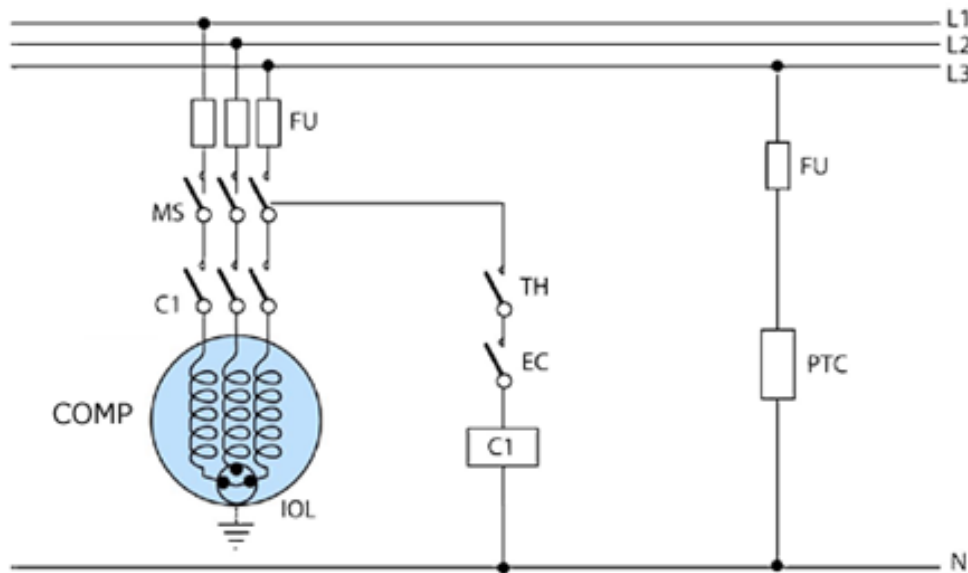
Model: NTZ096

Electrical

Electrical data

Starting current [A]:	32
Maximum Continuous Current (MCC) [A]:	10,1
Winding resistance (between phases) [Ω]:	5,03

Three-phase power supply



FU: Fuses

C1: Compressor contactor

EC: Outside sensors

PTC: Oil heater

MS: Main switch

TH: Thermostat

COMP: Compressor

IOL: Internal motor protection

Richmond's (Earl Shilton) Ltd, 9-11 High Street, Earl Shilton, Leicestershire, LE9 7DH



R.E.S.L

Richmonds Earl Shilton Limited

Specialist Distributors of Compressors and Refrigeration Spares

Model: NTZ096

Equipment

Equipment

- ▶ crankcase heater - PTC35W
- ▶ belt type heater - crankcase heater 65W, 230V
- ▶ Rotolock valves
 - suction: Rotolock valve connection 1 3/4", connection with supplied sleeve 7/8"
 - discharge: Rotolock valve connection 1 1/4", connection with supplied sleeve 3/4"
- ▶ soft-start kit - electronic softstart MCI 15C
- ▶ acoustic hood - acoustic shield of Danfoss catalogue number 7755002

Richmond's (Earl Shilton) Ltd, 9-11 High Street, Earl Shilton, Leicestershire, LE9 7DH

