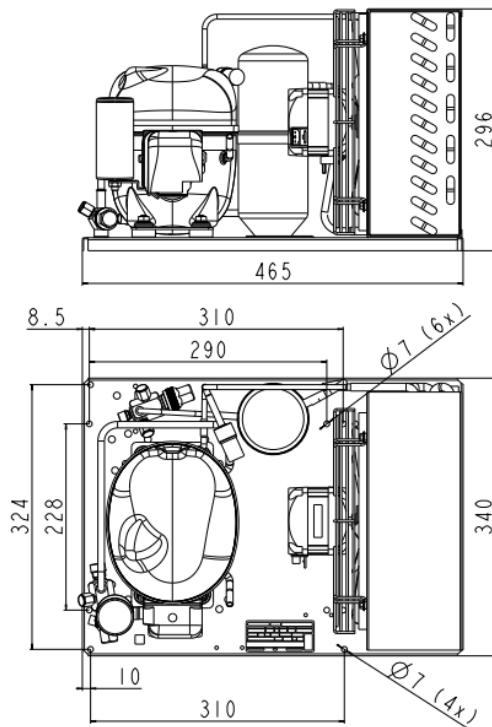


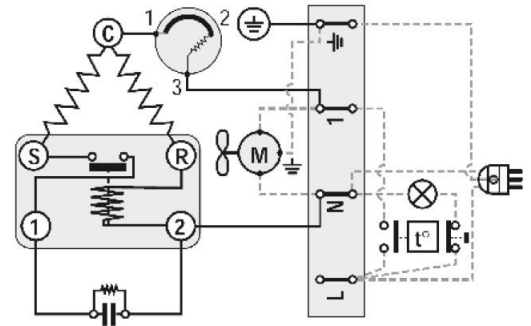
GENERAL DATA

Application:	M/HBP
Refrigerant:	R134a
Expansion Device:	C-V
Weight:	20.9 kg
Receiver:	1.1 liter
Voltage/Frequency:	220 - 240 V 50 Hz ~
Height:	296 mm
Length:	465 mm
Width:	340 mm
Institute Approvals:	CE

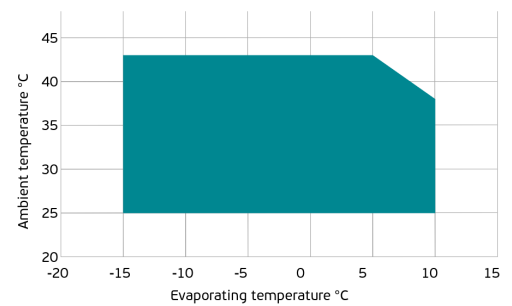
EXTERNAL DIMENSIONS



WIRING DIAGRAM



OPERATING ENVELOPE



COMPONENTS (SPARE PARTS)

Condenser:	3R11T	2451206
Valve Suction:	3/8" SAE (2)	2110024
HP Pressostat:	PS4-W1 808265	2466032
Electrical Kit:	ELKOM NEK6187Z	268AA51N1A

Fan Kit:	16W 254/28°/5B	1996610
Valve Discharge:	1/4" SAE (3)	2110025
Compressor:	NEK6187Z	268AA51..AM

For additional accessories please contact our technical support

NOISE DATA

Sound power level: 64 dB (A)
Sound pressure level dB (A): 56 (at 1m) | 42 (at 5m) | 36 (at 10m)
 Maximum noise at maximum ambient temperature, 20°C return gas, configurations voltage and frequency.

ELECTRICAL DATA

Motor Type: CSIR -
Locked Rotor Amperage (RLA): 16.1 A
Max.Current: 2.86 A
 At maximum evaporating temperature and maximum ambient temperature.

FAN MOTOR

Number: 1 -
Shaft Power: 16 W
Air Flow: 320 m³/hod
Blade Diameter: 254 mm

PERFORMANCE DATA

Standard: ASHRAE / return gas 32°C, subcooling 3K

50 Hz

	Evaporating Temperature (°C)	Cooling Capacity (kcal)	Power Consumption (W)	Current Consumption (A)	Efficiency (kcal/W)
25°C Ambient Temperature	10°C	1 268	557.82	6.40	2.27
	Rated point 7.2°C	1 157	530.33	6.21	2.18
	5°C	1 074	509.37	6.07	2.11
	0°C	898	464.17	5.77	1.93
	-5°C	741	423.05	5.51	1.75
	-15°C	487	356.27	5.16	1.37
32°C Ambient Temperature	10°C	1 153	575.07	6.60	2.00
	Rated point 7.2°C	1 052	546.74	6.41	1.92
	5°C	976	525.12	6.26	1.86
	0°C	816	478.53	5.95	1.71
	-5°C	674	436.13	5.68	1.55
	-15°C	443	367.29	5.32	1.21
43°C Ambient Temperature	Rated point 7.2°C	890	575.47	6.75	1.55
	5°C	827	554.41	6.61	1.49
	0°C	694	507.24	6.31	1.37
	-5°C	573	462.67	6.03	1.24
	-15°C	377	389.33	5.64	0.97