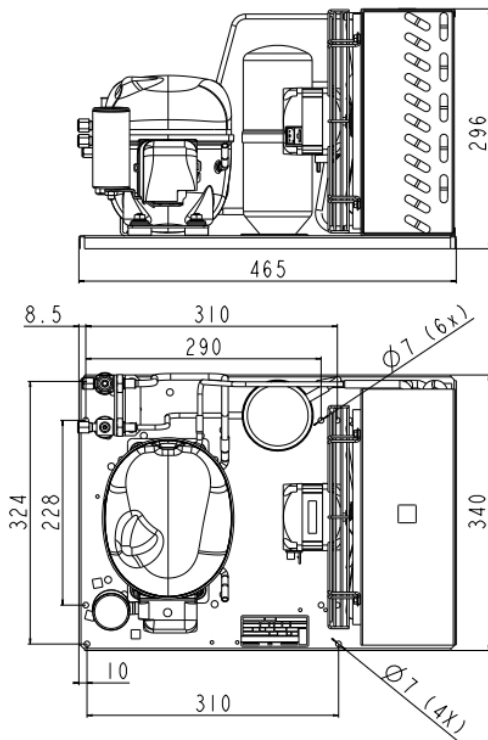


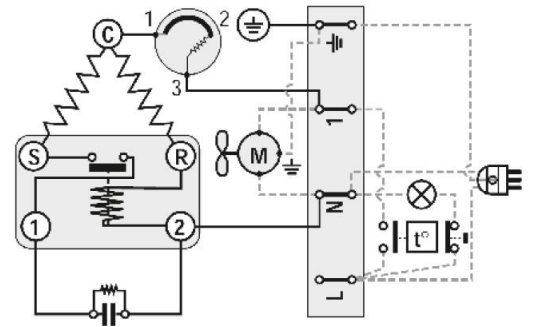
### GENERAL DATA

<b>Application:</b>	M/HBP
<b>Refrigerant:</b>	R134a
<b>Expansion Device:</b>	C-V
<b>Weight:</b>	21.7 kg
<b>Receiver:</b>	1.1 liter
<b>Voltage/Frequency:</b>	220 - 240 V 50 ~
<b>Height:</b>	21.7 mm
<b>Length:</b>	465 mm
<b>Width:</b>	340 mm
<b>Institute Approvals:</b>	<b>CE</b>

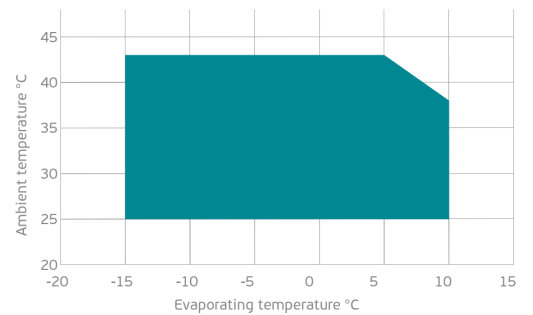
### EXTERNAL DIMENSIONS



### WIRING DIAGRAM



### OPERATING ENVELOPE



### COMPONENTS (SPARE PARTS)

<b>condenser:</b>	3R11T	2451206
<b>valve_suca:</b>	FLARE 3/8"	2110059
<b>compressor:</b>	NEK6210Z	268BA51..AN

<b>fankit:</b>	16W 254/28°/5B	1996610
<b>valve_disch:</b>	FLARE 1/4"	2110085
<b>elkit:</b>	ELKOM NEK6210Z	268BA51N1A

For additional accessories please contact our technical support

**ELECTRICAL DATA**

**Motor Type:** CSIR -  
**Locked Rotor Amperage (RLA):** 16.1 A  
**Max.Current:** 3.3 A

At maximum evaporating temperature and maximum ambient temperature.

**FAN MOTOR**

**Number:** 1 -  
**Shaft Power:** 16 W  
**Air Flow:** 595 m<sup>3</sup>/hod  
**Blade Diameter:** 254 mm

**PERFORMANCE CURVE DATA**

Standard: EN13215-RG20 / return gas 20°C, subcooling 3K

50 Hz

	Evaporating Temperature (°C)	Cooling Capacity (W)	Power Consumption (W)	Current Consumption (A)	Efficiency (W/W)
<b>25°C</b> Ambient Temperature	10°C	1 235	570	3.43	2.17
	5°C	1 073	516	3.24	2.08
	0°C	920	466	3.07	1.97
	-5°C	775	420	2.92	1.84
	Rated point -10°C	639	379	2.79	1.69
	-15°C	513	342	2.68	1.50
<b>32°C</b> Ambient Temperature	10°C	1 123	588	3.54	1.91
	5°C	975	532	3.34	1.83
	0°C	835	480	3.16	1.74
	-5°C	703	433	3.01	1.62
	Rated point -10°C	580	391	2.88	1.49
	-15°C	467	353	2.77	1.32
<b>43°C</b> Ambient Temperature	5°C	830	562	3.44	1.48
	0°C	699	507	3.24	1.38
	-5°C	577	456	3.06	1.27
	Rated point -10°C	464	410	2.92	1.13
	-15°C	360	370	2.80	0.97