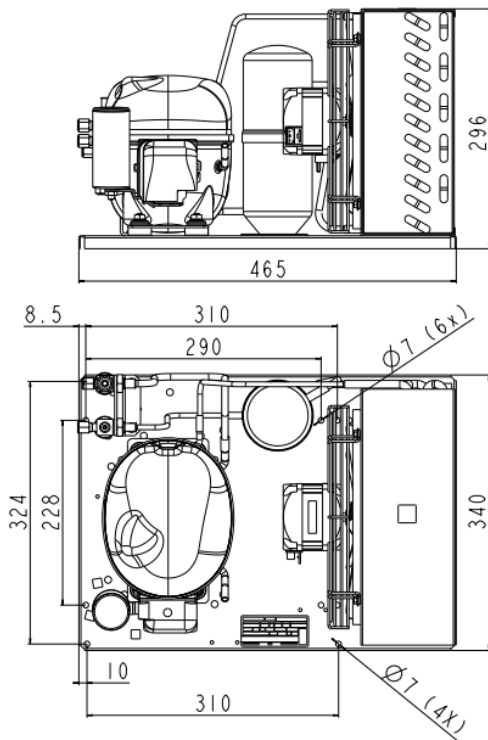


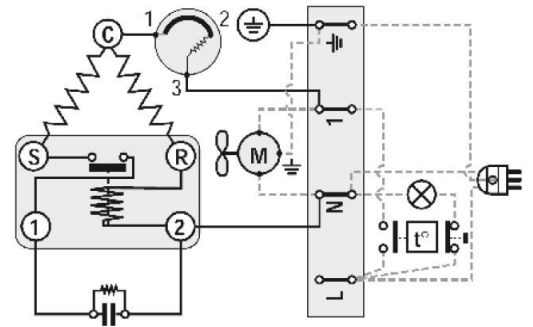
### GENERAL DATA

<b>Application:</b>	M/HBP
<b>Refrigerant:</b>	R134a
<b>Expansion Device:</b>	C-V
<b>Weight:</b>	21.7 kg
<b>Receiver:</b>	1.1 liter
<b>Voltage/Frequency:</b>	220 - 240 V 50 ~
<b>Height:</b>	21.7 mm
<b>Length:</b>	465 mm
<b>Width:</b>	340 mm
<b>Institute Approvals:</b>	<b>CE</b>

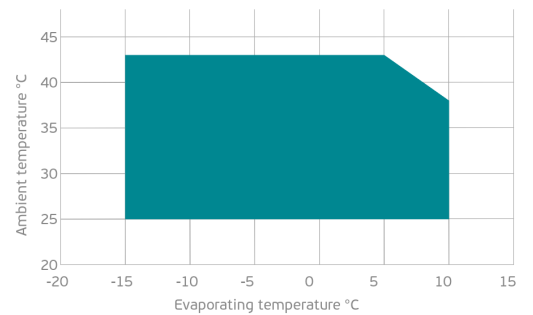
### EXTERNAL DIMENSIONS



### WIRING DIAGRAM



### OPERATING ENVELOPE



### COMPONENTS (SPARE PARTS)

<b>condenser:</b>	3R11T	2451206
<b>valve_suca:</b>	FLARE 3/8"	2110059
<b>compressor:</b>	NEK6214Z	269JA51..AN

<b>fankit:</b>	16W 254/28°/5B	1996579
<b>valve_disch:</b>	FLARE 1/4"	2110085
<b>elkit:</b>	ELKOM NEK6214Z	269JA51N1A

For additional accessories please contact our technical support

**ELECTRICAL DATA**

**Motor Type:** CSIR -  
**Locked Rotor Amperage (RLA):** 21.2 A  
**Max.Current:** 5.17 A

At maximum evaporating temperature and maximum ambient temperature.

**FAN MOTOR**

**Number:** 1 -  
**Shaft Power:** 16 W  
**Air Flow:** 595 m<sup>3</sup>/hod  
**Blade Diameter:** 254 mm

**PERFORMANCE CURVE DATA**

Standard: EN13215 / return gas 20°C, subcooling 3K

50 Hz

	Evaporating Temperature (°C)	Cooling Capacity (W)	Power Consumption (W)	Current Consumption (A)	Efficiency (W)
<b>25°C</b> Ambient Temperature	10°C	1655	782	4.89	2.12
	5°C	1423	704	4.62	2.02
	0°C	1210	634	4.40	1.91
	-5°C	1015	570	4.22	1.78
	Rated point -10°C	839	514	4.08	1.63
	-15°C	681	464	3.98	1.47
<b>32°C</b> Ambient Temperature	10°C	1505	806	5.04	1.87
	5°C	1294	726	4.77	1.78
	0°C	1100	653	4.54	1.68
	-5°C	923	587	4.35	1.57
	Rated point -10°C	762	529	4.21	1.44
	-15°C	619	479	4.11	1.29
<b>43°C</b> Ambient Temperature	5°C	1089	788	4.96	1.38
	0°C	921	704	4.68	1.31
	-5°C	766	628	4.44	1.22
	Rated point -10°C	627	559	4.24	1.12
	-15°C	501	500	4.09	1.00