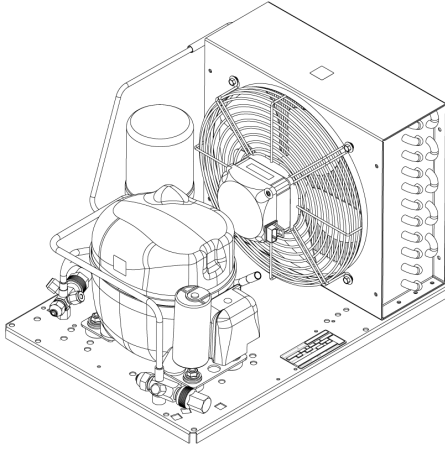


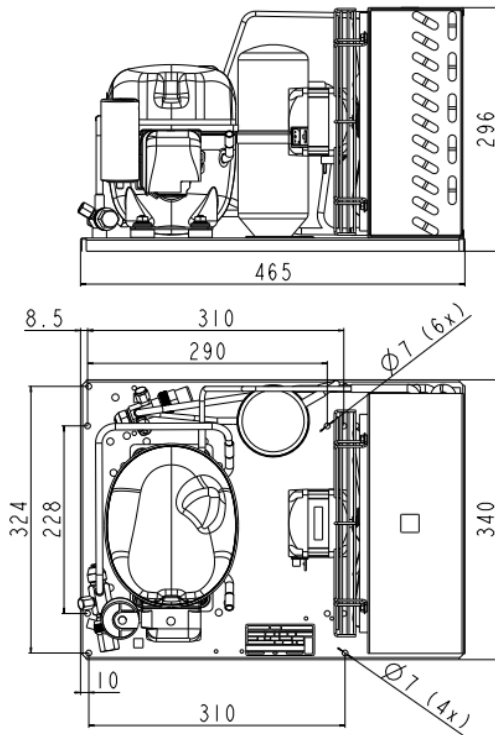
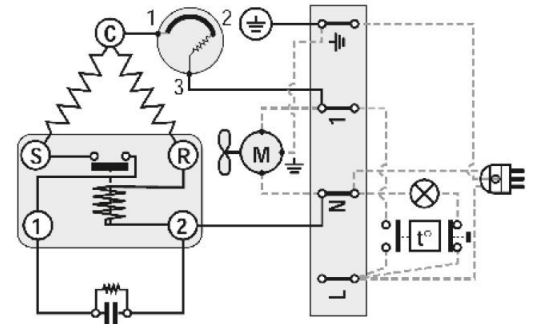
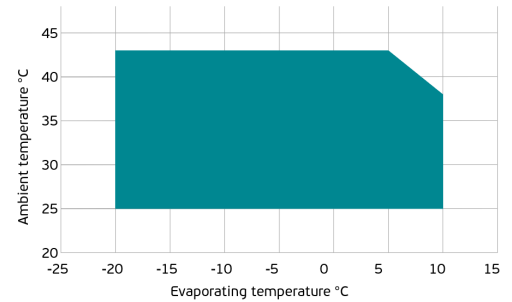
Model

UNEK6210GK

Code

674CA5612AA**embraco** POWER IN.
CHANGE ON.**GENERAL DATA**

Application:	M/HBP
Refrigerant:	R404A
Expansion Device:	C-V
Weight:	21.4 kg
Receiver:	1.1 liter
Voltage/Frequency:	220 - 240 V 50 Hz ~
Height:	296 mm
Length:	465 mm
Width:	340 mm
Institute Approvals:	CE

EXTERNAL DIMENSIONS**WIRING DIAGRAM****OPERATING ENVELOPE****COMPONENTS (SPARE PARTS)**

Fan Kit:	16W 254/28/5B	1996610
Electrical Kit:	ELKOM NEK6210GK	958CA51N1A
Valve Discharge:	SOLDER 1/4"	2110047

Compressor:	NEK6210GK	958CA51..AM
Valve Suction:	SOLDER 3/8"	2110046
Condenser:	KONDENZATOR 3R11T	2451206

For additional accessories please contact our technical support



NOISE DATA

Sound power level: 65 dB (A)
Sound pressure level dB (A):
 57 (at 1m) | 43 (at 5m) | 37 (at 10m)
 Maximum noise at maximum ambient temperature,
 20°C return gas, configurations voltage and frequency.

ELECTRICAL DATA

Motor Type: CSIR -
Locked Rotor Amperage (RLA): 10.1 A
Max.Current: 4.2 A
 At maximum evaporating temperature and maximum ambient temperature.

FAN MOTOR

Number: 1 -
Shaft Power: 16 W
Air Flow: 595 m³/hod
Blade Diameter: 254 mm

PERFORMANCE DATA

Standard: EN13215 / return gas 20°C, subcooling 3K

50 Hz

	Evaporating Temperature (°C)	Cooling Capacity (W)	Power Consumption (W)	Current Consumption (A)	Efficiency (W/W)
25°C Ambient Temperature	10°C	1 481	635.00	3.78	2.33
	5°C	1 303	586.25	3.58	2.22
	0°C	1 134	541.00	3.39	2.10
	-5°C	974	499.00	3.23	1.95
	Rated point -10°C	822	460.00	3.08	1.79
	-15°C	679	423.75	2.96	1.60
	-20°C	544	390.00	2.85	1.39
32°C Ambient Temperature	10°C	1 294	684.00	3.98	1.89
	5°C	1 141	629.06	3.74	1.81
	0°C	996	579.00	3.53	1.72
	-5°C	859	532.94	3.34	1.61
	Rated point -10°C	730	490.00	3.18	1.49
	-15°C	611	449.31	3.04	1.36
	-20°C	501	410.00	2.91	1.22
43°C Ambient Temperature	5°C	901	693.88	4.00	1.30
	0°C	791	634.00	3.74	1.25
	-5°C	679	580.13	3.52	1.17
	Rated point -10°C	571	531.00	3.32	1.08
	-15°C	475	485.38	3.15	0.98
	-20°C	399	442.00	3.00	0.90