



INDICATIVE PHOTO

General features : RCMR1350606

RCMR ø350 range unit coolers have been designed to be installed inside cold rooms suited for fresh and frozen goods storage

This range completes the RC and RCS range applications and though having extremely compact dimensions, reaches bigger capacities suited for medium size cold rooms

RCMR ø350 range is available in different combinations of fin spacing dimensions and tube rows properly sized according to the needed applications

The ED version is supplied with mounted defrosting heaters and is suitable for being used at low temperature applications

The fan motors operate in the suction mode and prevent the condensate forming on the fan

The coil is made of aluminium fins, 12 mm copper tube and a geometry of 37,5 x 32,5

RCMR ø350 unit coolers can be classified in three groups according to the needed cold room temperature (Tc): 4mm fin spacing for a Tc from -5°C to +15°C; 6mm fin spacing for a Tc from -20°C to +15°C; 8mm fin spacing for a Tc from -40°C to +4°C.

The coils are tested with nitrogen at a pressure of 25 bar.

The fan motor models in use have the following features:

Manufactured following EN 60335-1 laws, with internal thermal protection

Fan diameter 350 mm, external rotor

Power supply 230-240V/1/50-60Hz

IP44 protection rate

F insulation class

operating temperature -40°C a +65°C

Electrics made in conformity with 2006/95/CE Low Tension directive

The housing is made of aluminium

The manufacturing solutions used give the housing strength and guarantee the absence of vibrations during the functioning.

Screws, washers and nuts are made of stainless steel



INDICATIVE PHOTO

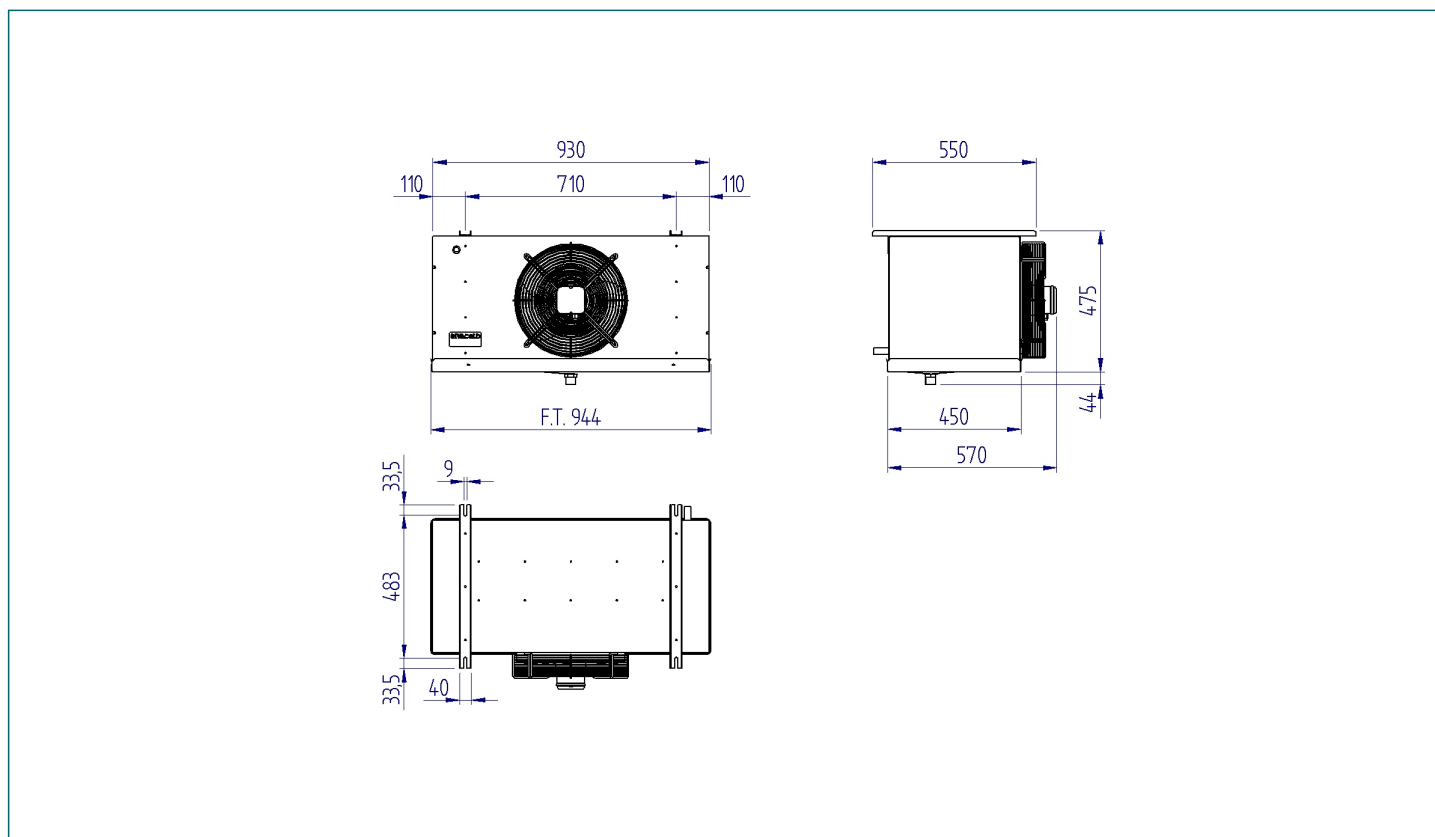
Product file : Unit coolers

Code	RCMR1350606
Model	Ceiling cubic unit cooler
Range	RCMR
Application	MBP
Net weight	26,2 kg
Inlet connection	12 mm-1/2" SAE
Outlet connection	22 mm
Drain connection	1" Gas (33mm)
Ped	0
Rows	6
Fin spacing	6
Circuit volume	5,35 dm ³
Total surface	16,5 m ²

Fan motor

Type	AC
Fans no.	1
Diameter	350 mm
Power supply	230/1/50-60
Speed	1400 rpm
Power consumption	130 W
Current consumption	0,58 A
Air flow	2170.5 m ³ /h
Air throw	11 m

Technical drawing - RCMR1350606



Refrigerating capacity table (watt) - Gas : R404A

dT \ Tc	-20°C	-15°C	-10°C	-5°C	0°C	2°C	4°C	6°C	8°C	10°C	12°C	15°C
10	4370 ⁽¹⁾	4670	4970	5290	5660	5760	5860	5940	6050	6170	6340	6595
9	4020 ⁽¹⁾	4290	4520	4810	5160	5240	5320	5400	5500	5640	5790	6015
8	3660 ⁽¹⁾	3860	4090	4350	4670	4740	4810	4880	4970	5120	5270	5495
7	3270 ⁽¹⁾	3440	3640	3870	4170	4220	4270	4350	4460	4590	4720	4915
6	2850 ⁽¹⁾	3010	3190	3410	3680	3730	3780	3850	3980	4110	4240	4435
5	2430 ⁽¹⁾	2560	2720	2920	3170	3220	3270	3370	3480	3610	3740	3935

(1) Applicazione fuori dal campo consigliato