



INDICATIVE PHOTO

## General features : RCS1250606

RCS range unit coolers have been designed to be installed inside cold rooms suited for fresh and frozen goods storage

Their shape, being extremely compact, make their installation possible also in cold rooms having very small dimensions

RCS range is available in different combinations of fin spacing dimensions and tube rows properly sized according to the needed applications.

The ED version is supplied with mounted defrosting heaters and is suitable for being used at low temperature applications.

The fan motors operate in the suction mode and prevent the condensate forming on the fan

The coil is made of aluminium fins, 12 mm copper tube and a geometry of 37,5 x 32,5

RCS unit coolers can be classified in three groups according to the needed cold room temperature (Tc): 4mm fin spacing for a Tc from -5°C to +15°C; 6mm fin spacing for a Tc from -20°C to +15°C; 8mm fin spacing for a Tc from -40°C to +4°C

Each fin spacing group is also available with 4 and 6 rows.

The coils are tested with nitrogen at a pressure of 25 bar.

The fan motor models in use have the following features:

Manufactured following EN 60335-1 laws, with internal thermal protection

Fan diameter 250mm

Power supply 230-240V/1/50-60Hz

IP44 protection rate

F insulation class

Operating temperature from -40°C to +40°C

Electrics made in conformity with 2006/95/CE Low Tension directive

The housing is made of aluminium

The manufacturing solutions used give the housing strength and guarantee the absence of vibrations during the functioning.

Screws, washers and nuts are made of stainless steel



INDICATIVE PHOTO

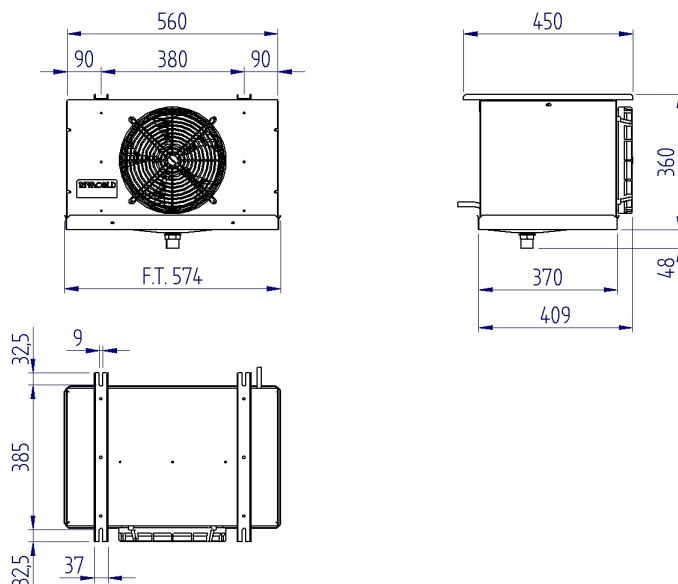
### Product file : Unit coolers

Code	RCS1250606ED
Model	Ceiling cubic unit cooler
Range	RCS
Application	MBP
Net weight	14,5 kg
Inlet connection	12 mm-1/2" SAE
Outlet connection	12 mm
Drain connection	1" Gas (33mm)
Ped	0
Rows	6
Fin spacing	6
Circuit volume	2,58 dm <sup>3</sup>
Total surface	7,3 m <sup>2</sup>

### Fan motor

Type	AC
Fans no.	1
Diameter	254 mm
Power supply	230/1/50
Defrost	750 W
Speed	1300 rpm
Power consumption	80 W
Current consumption	0,35 A
Air flow	809 m <sup>3</sup> /h
Air throw	8 m

## Technical drawing - RCS1250606



## Refrigerating capacity table (watt) - Gas : R404A

dT \ Tc	-20°C	-15°C	-10°C	-5°C	0°C	2°C	4°C	6°C	8°C	10°C	12°C	15°C
10	1220 <sup>(1)</sup>	1340	1460	1580	1710	1740	1770	1800	1820	1870	1930	2020
9	1130 <sup>(1)</sup>	1220	1330	1440	1550	1580	1600	1620	1650	1700	1740	1800
8	1020 <sup>(1)</sup>	1100	1190	1280	1380	1400	1420	1440	1470	1510	1550	1610
7	899 <sup>(1)</sup>	973	1040	1120	1210	1220	1230	1240	1280	1320	1350	1395
6	776 <sup>(1)</sup>	833	879	958	1030	1040	1050	1070	1110	1140	1170	1215
5	640 <sup>(1)</sup>	675	721	774	840	850	860	882	909	938	969	1016

(1) Applicazione fuori dal campo consigliato